

Printed Pages : 2



NAR204

(Following Paper ID and Roll No. to be filled in your Answer Book)

PAPER ID : 181209

Roll No.

--	--	--	--	--	--	--	--	--	--

B. Arch.

(SEM. II) THEORY EXAMINATION, 2014-15
ARCHITECTURAL DRAWING - II

Time : 3 Hours]

[Total Marks : 50

- Note :
- (1) Answer all questions.
 - (2) Assume suitable data, if found missing.
 - (3) Use appropriate scale for drawings.
 - (4) Credit shall be given to neat and accurate drawing.
 - (5) All dimensions are in mm.
- 1 (a) Discuss about the different components of perspective view. **2x5=10**
- (b) Discuss the role of perspective, isometric and axonometric views in architectural presentation.
- 2 Draw an isometric View of any two objects given in figure-1. **20**
- 3 Draw a two point perspective view of object (A) given in Figure-1. **20**

181209]

1

[Contd...

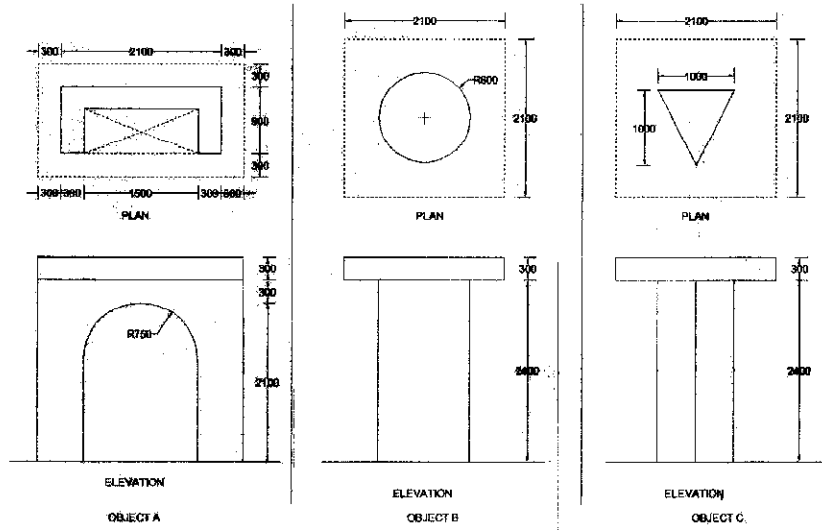


Figure 1